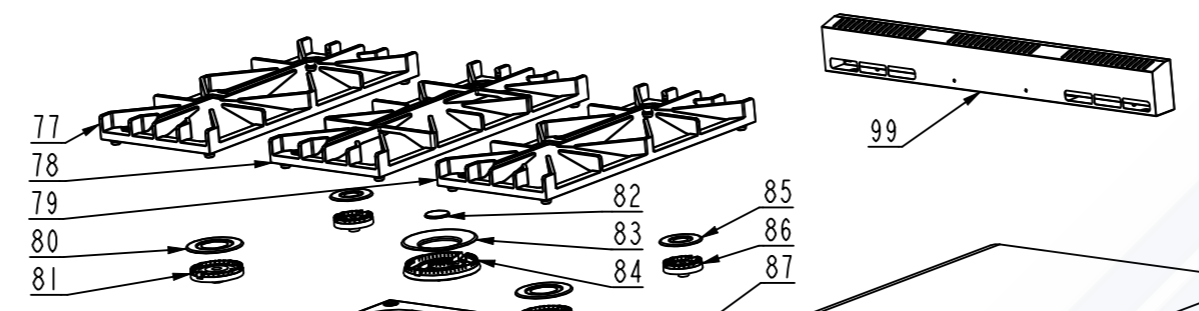
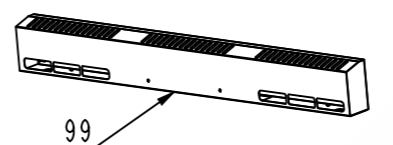


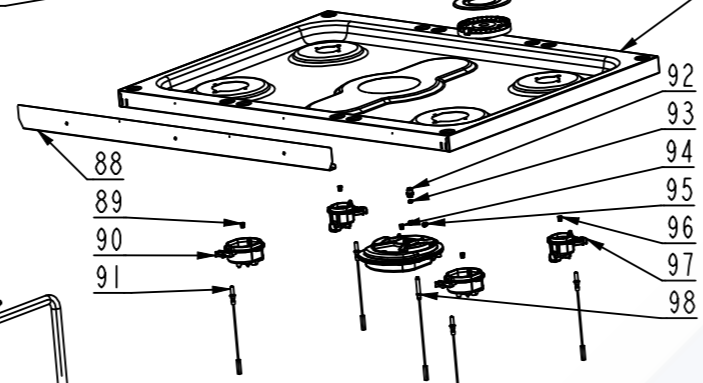
7:100



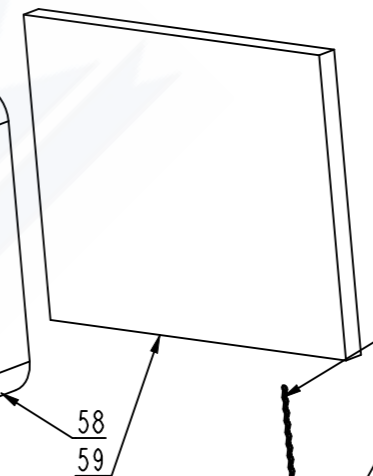
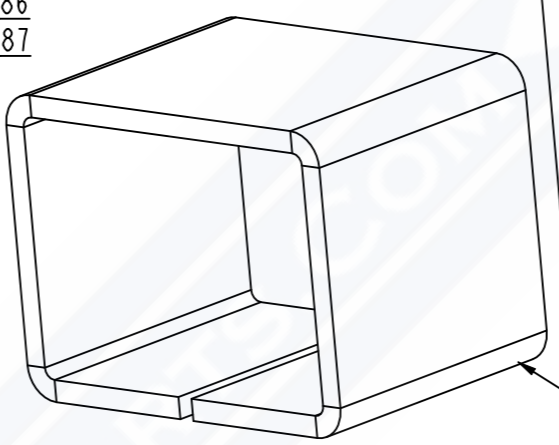
- 77
- 78
- 79
- 80
- 81
- 82
- 83
- 84
- 85
- 86
- 87



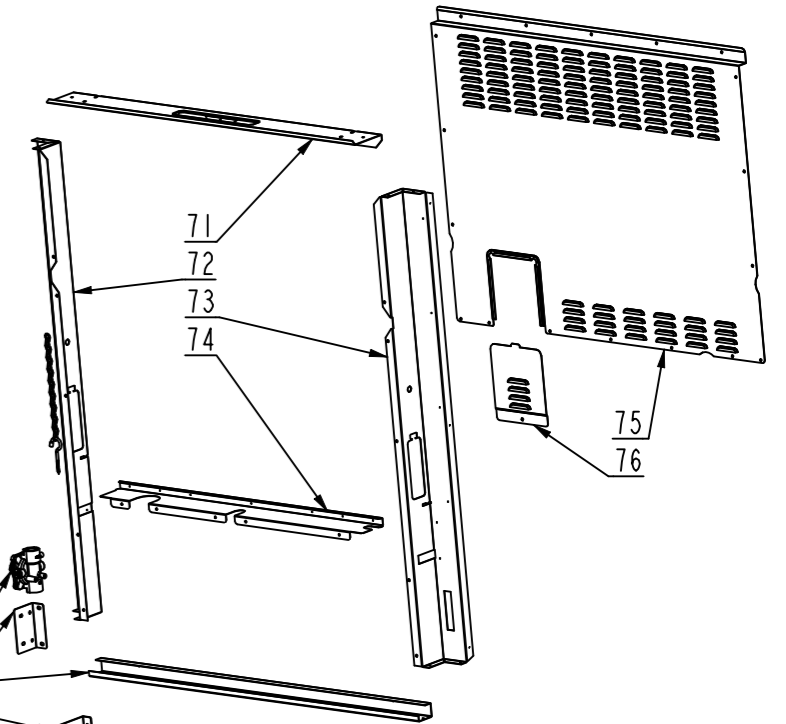
99



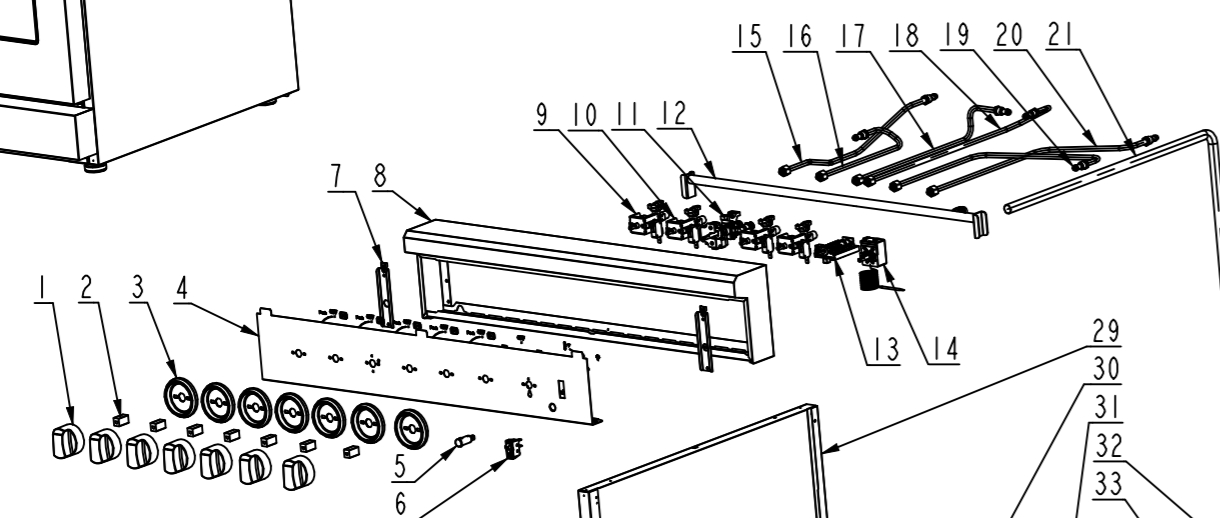
- 88
- 89
- 90
- 91
- 92
- 93
- 94
- 95
- 96
- 97
- 98



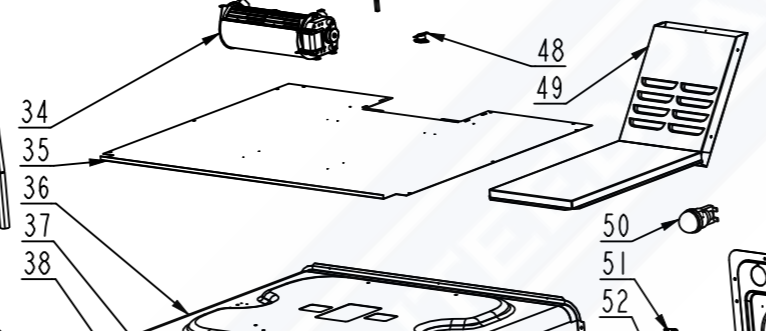
58
59



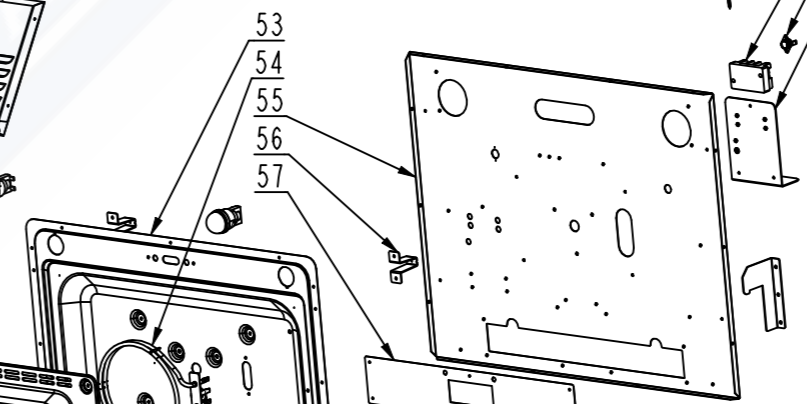
- 60
- 61
- 62
- 63
- 64
- 71
- 72
- 73
- 74
- 75
- 76



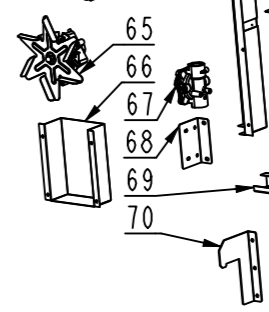
- 1
- 2
- 3
- 4
- 5
- 6
- 7
- 8
- 9
- 10
- 11
- 12
- 13
- 14
- 15
- 16
- 17
- 18
- 19
- 20
- 21
- 29
- 30
- 31
- 32
- 33



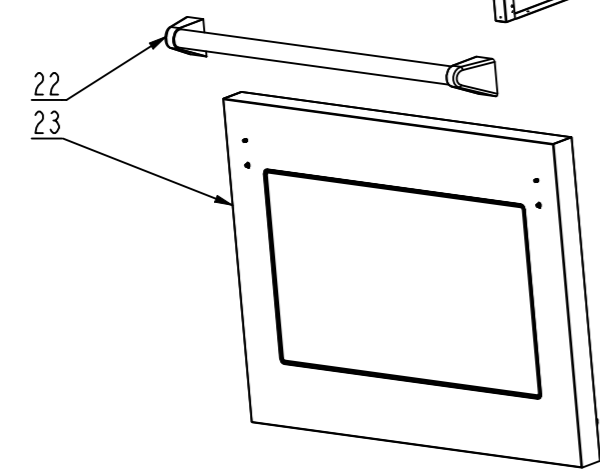
- 34
- 35
- 36
- 37
- 38
- 48
- 49
- 50
- 51
- 52



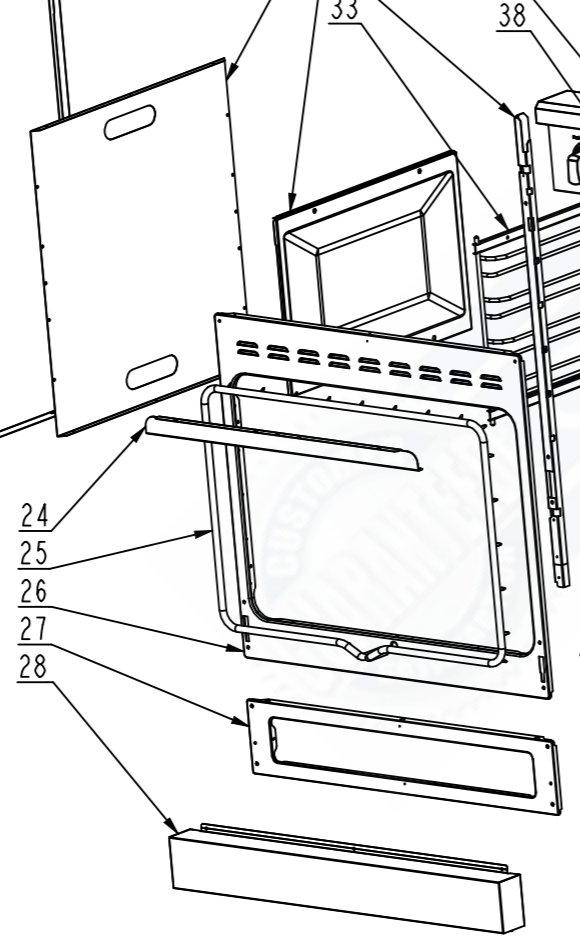
- 53
- 54
- 55
- 56
- 57



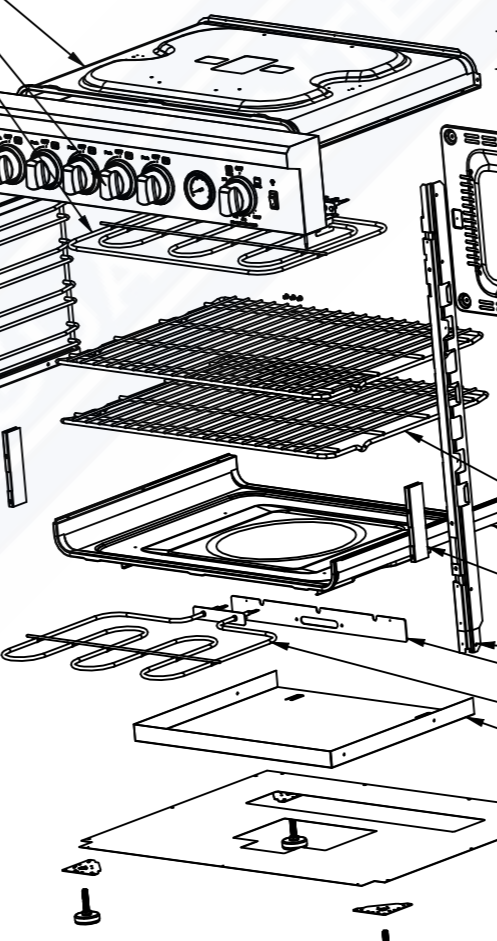
- 65
- 66
- 67
- 68
- 69
- 70



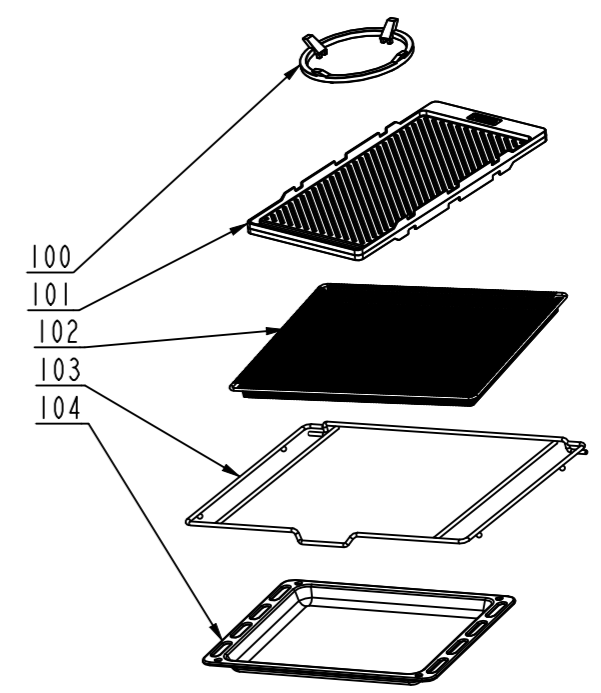
- 22
- 23
- 24
- 25
- 26
- 27
- 28



- 39
- 39
- 40
- 41
- 42
- 43
- 44



- 45
- 46
- 47



- 100
- 101
- 102
- 103
- 104

NO.	Part Name	Part Code	Qty.
1	Knob	76D507C080000	7
2	Knob spring	76D507C083000	7
3	Knob base	76D507C081004	7
4	Control panel	76D517B080002	1
5	Indicating light	76D417E089000	1
6	switch	50A001E551000	1
7	Connecting plate of control panel	76D507B081000	1
8	Holder of control panel	76D517A061002	1
9	Valve of semi-rapid burner	76D507G080000	2
10	Valve of rapid burner	76D507G080001	2
11	Valve of wok burner	76D506G079000	1
12	Main gas tube	76D517H080000	1
13	Switch	76D417H738000	1
14	Thermostat for temperature setting	76D417E081000	1
15	Gas pipe component-rear left	76D507H086421	1
16	Gas pipe component-front left	76D507H085356	1
17	Gas pipe component of middle burner (outer ring)	76D507H087445	1
18	Gas pipe component of middle burner (inner ring)	76D507H088561	1
19	gas pipe component-front right	76D507H090581	1
20	gas pipe component-rear right	76D507H091567	1
21	corrugated pipe	76D507H097B00	1
22	handle sets	76D507A182670	1
23	Oven door	76D507A180000	1
24	Front plate	76D517B10200B	1
25	door seal	76D001C102L90	1
26	Front panel of oven chamber	76D417B10000B	4
27	Drawer fixed panel	76D507B30500B	1
28	decorative plate	76D507B330002	1
29	side plate	76D507B112002	1
30	Insulation side plate of oven chamber	76d507b141000	2
31	oven chamber plate	76D001B10400B	2
32	Left front support of oven chamber	76D507B126000	1
33	Side racks	76D507H780000	1
34	Fan	76D417E640A00	1
35	Insulation top plate of oven chamber	76D507B142000	1
36	Upper oven chamber plate	76D417B10600B	1
37	Up electric tube holder	76D417B683002	1
38	Up electric tube	76D417H681000	1
39	Oven racks	76D507H780000	2
40	Hinge mount	76D001A187000	2
41	Right front support of oven chamber	76D507B127000	1
42	Down electric tube holding bar	76D517B681000	1
43	Down electric tube	76D417H680000	1
44	Down electric tube reflector	76D517B684000	1
45	Insulation bottom plate of oven chamber	76D417B143000	1

46 Leg holder	K52C11A1DX00	4
47 leg	50A001H080000	4
48 Thermostat for fan	76D417E082000	1
49 Chimney assembly	76D507A101000	1
50 Oven lamp	76D507E55325W	2
51 Thermocouple holder	50A001B095004	1
52 Oven fan cover	76D506B60000B	1
53 Back plate of oven chamber	76D417B10300B	1
54 Back electric tube	76D417E682000	1
55 Insulation plate of back oven chamber	76D417B140000	1
56 Insulation back plate holder	76D507B139000	4
57 Down electric tube cover	76D417B144000	1
58 Insulation fiber glass	76D417C100000	1
59 Insulation fiber glass on the back plate	76D507C101000	1
60 Anti-tip chain	76D517H790000	2
61 Cable	76D417H502000	1
62 Resetting thermostat	76D417E083000	1
63 Cable holder	76D417B405000	1
64 Pulse ignitor	76D517E452120	1
65 Oven fan	76C417E600A00	1
66 Inner line cover	76D417B128000	1
67 Oven and broil valve	76D507H377000	1
68 Oven and broil valve holder	76d507b098000	1
69 Back holder of oven chamber	76D506B108000	1
70 Anti-tip plate	76d507b790002	2
71 Rear connecting plate of the cooktop	76D507B117000	1
72 Left rear holder of oven chamber	76D507B118000	1
73 Right rear holder of oven chamber	76D507B119000	1
74 Back cover supporter	76D417B089001	1
75 Back cover	76D417B135000	1
76 Small back cover	76D417B138000	1
77 Top grill (left)	76D207H05000B	1
78 Top grill (middle)	76D107H05000B	1
79 Top grill (right)	76D207H05000B	1
80 Rapid burner cap	76D001G066000	2
81 Rapid burner base	76D001G062000	2
82 Wok burner inner ring cap	76D507G067000	1
83 Wok burner outer ring cap	76D507G068000	1
84 Wok burner base	76D507G063000	1
85 Semirapid burner cap	76D001G065000	2
86 Semirapid burner base	76D001G061000	2
87 top plate	76D507B05000B	1
88 Font fixed holer of cooktop	76D506B064000	1
89 NozzleØ2.0	50A001G059200	1
90 Rapid burner cup	76D001G057000	2
91 Ignition pin of cooktop burners L=1100	76D507E458B10	2
92 Ignition pin nut of wok burner	76D507E463000	4

93 Ignition pin spring of wok burner	76D507E462000	2
94 NozzleØ0.8	50A001G059080	1
95 NozzleØ1.4	50A001G059140	1
96 NozzleØ1.45	50A001G059145	1
97 Semirapid burner cup	76D001G056000	2
98 Ignition pin of wok burner	76D507E459720	1
99 Backsplash	76D001A000000	1
100 Wok rack	76D407H05200B	1
101 Top griddle	76D407H05300B	2
102 Air-fryer rack	76D001H784000	1
103 Air-fryer rack holder	76D001H783000	1
104 Oven tray	76D001B78100B	1
105 Inner cable	76D507E430000	1

GUARANTEED PARTS

